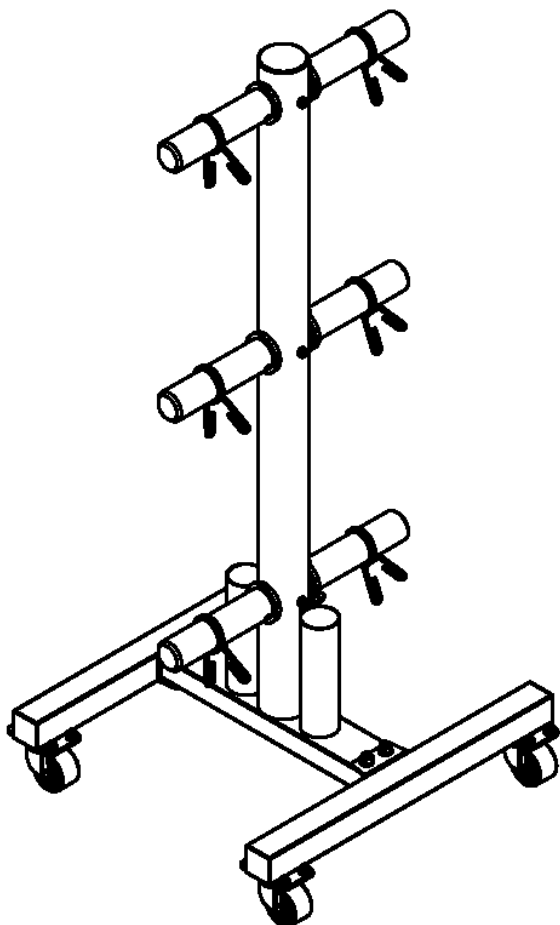


MARCY®

MOBILE OLYMPIC PLATE TREE STORAGE RACK

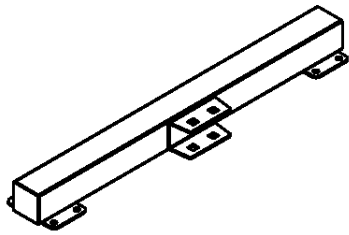
PT-5856



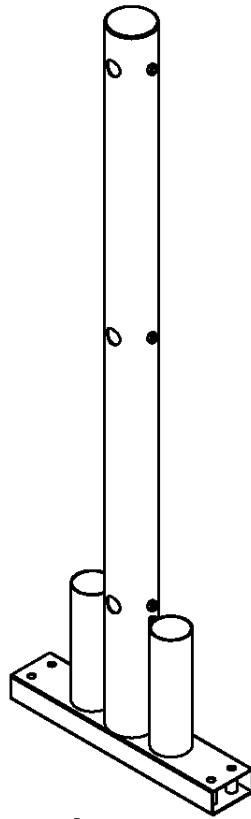
IMPORTANT: Please read the Important Safety Notice and Assembly Information in the Owner's manual before assembling this product.

Assembly Manual

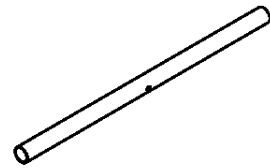
180709



① × 2



② × 1



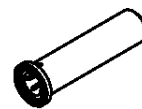
③ × 3



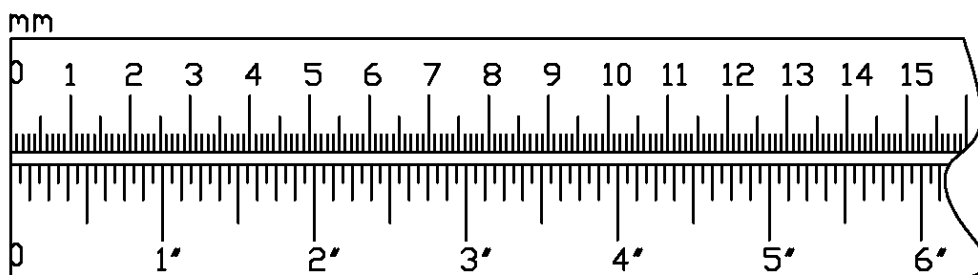
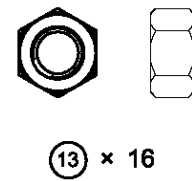
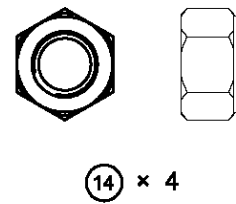
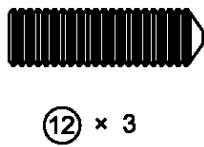
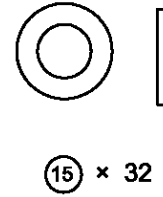
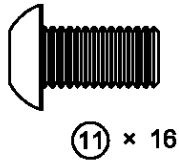
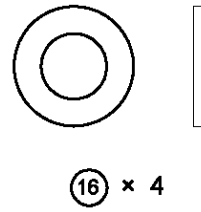
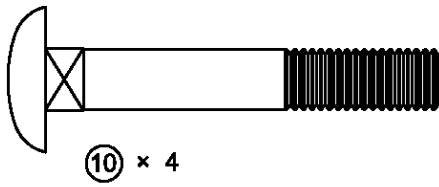
④ × 4



⑤ × 6



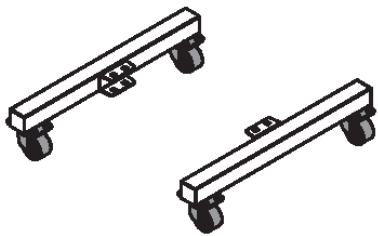
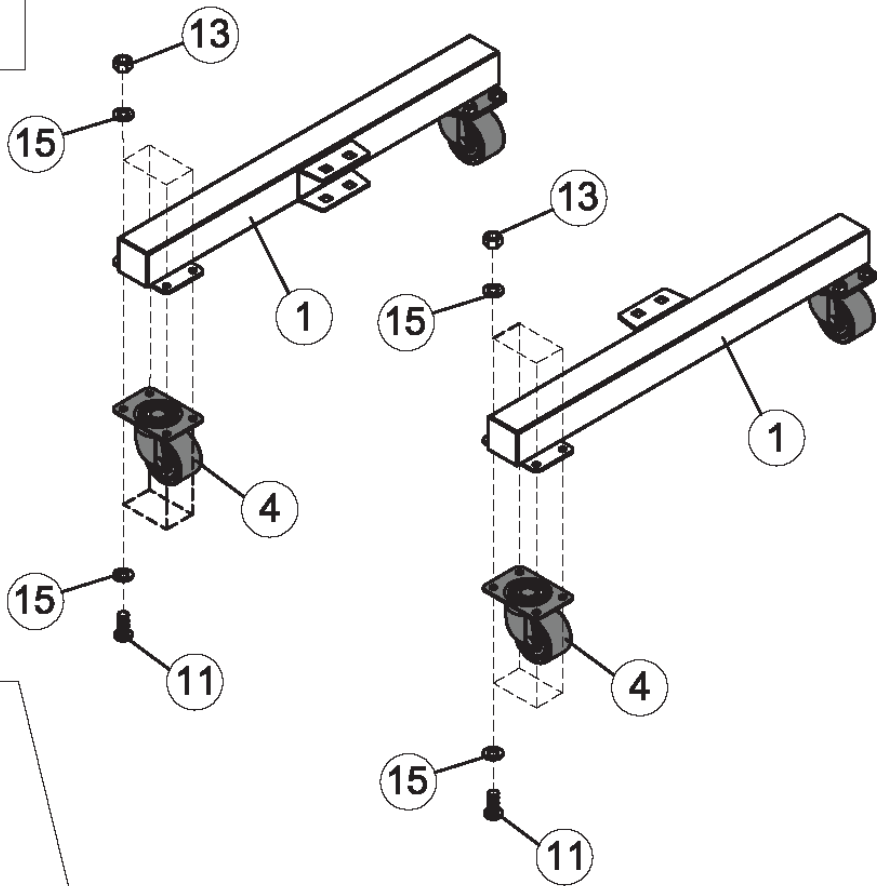
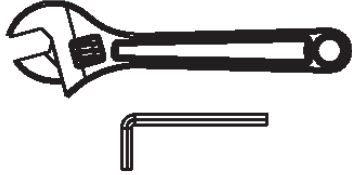
⑨ × 6



①①  × 16 M8× $\frac{3}{4}$ "

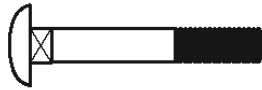
①⑤  | × 32 $\Phi\frac{5}{8}$ "

①③   × 16 M8



1

10



× 4

M10×2½"

16



× 4

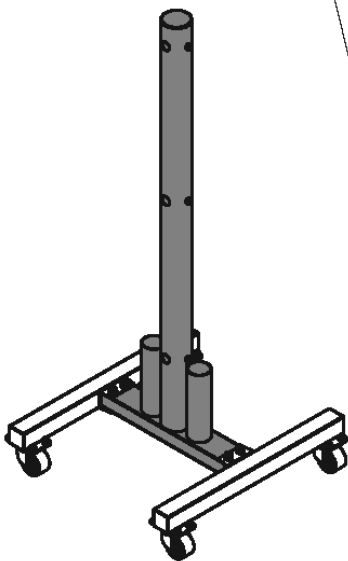
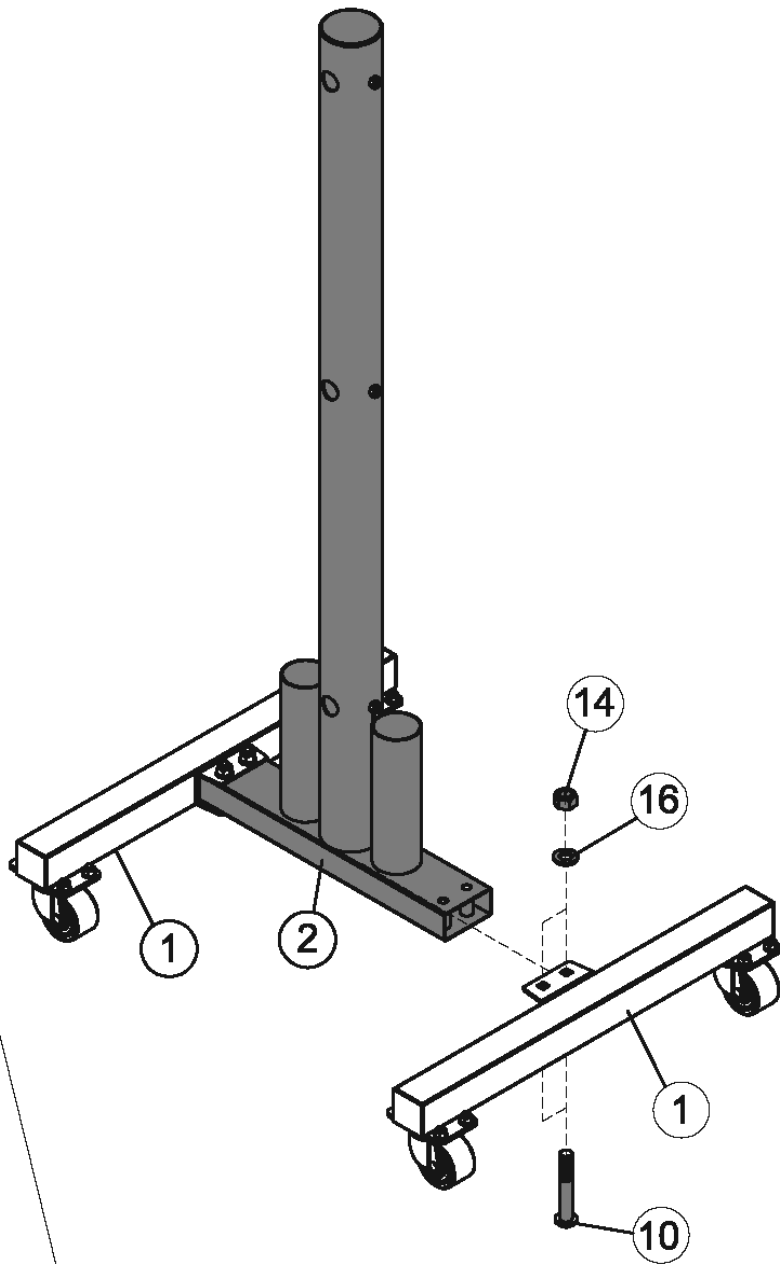
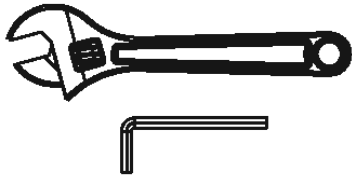
Φ¾"

14



× 4

M10



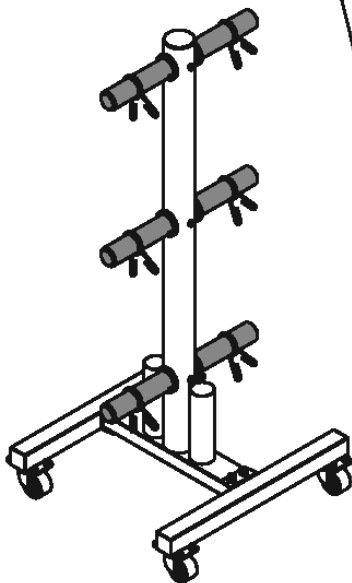
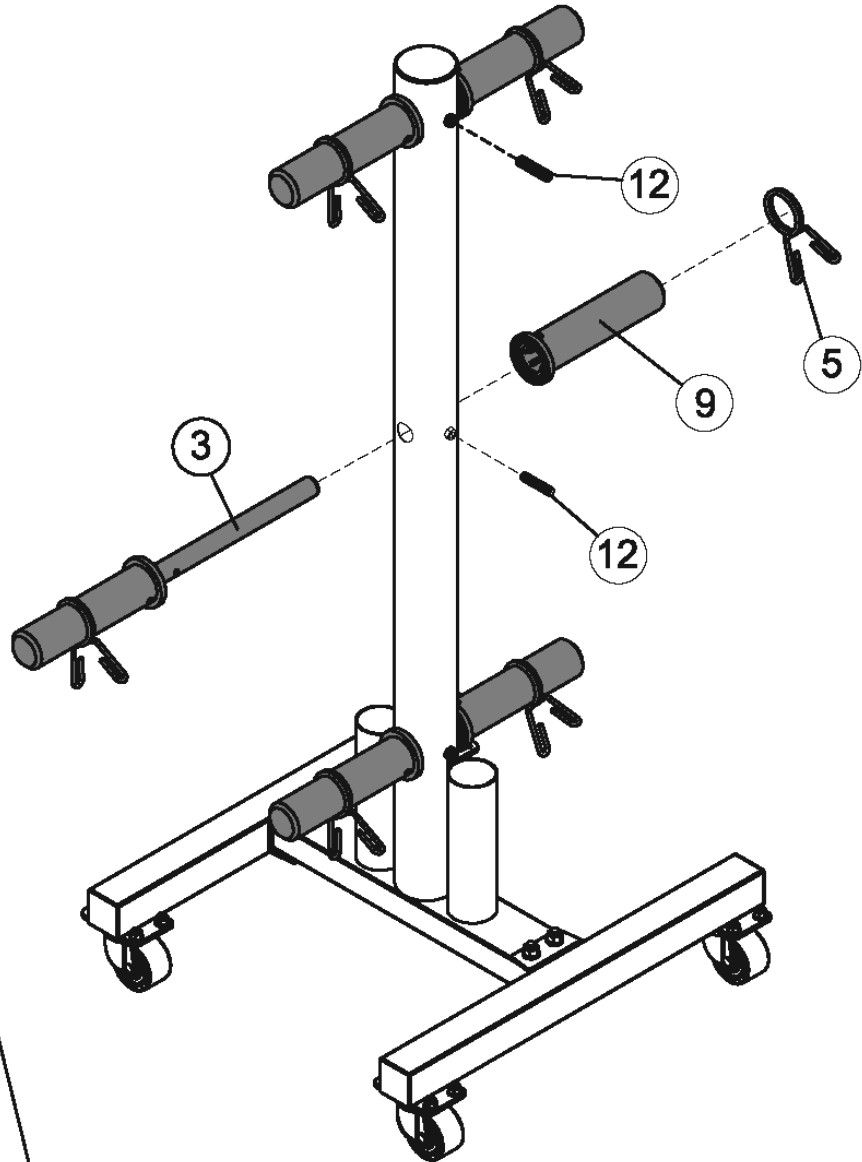
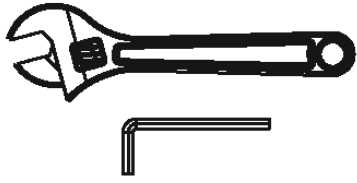
2

12

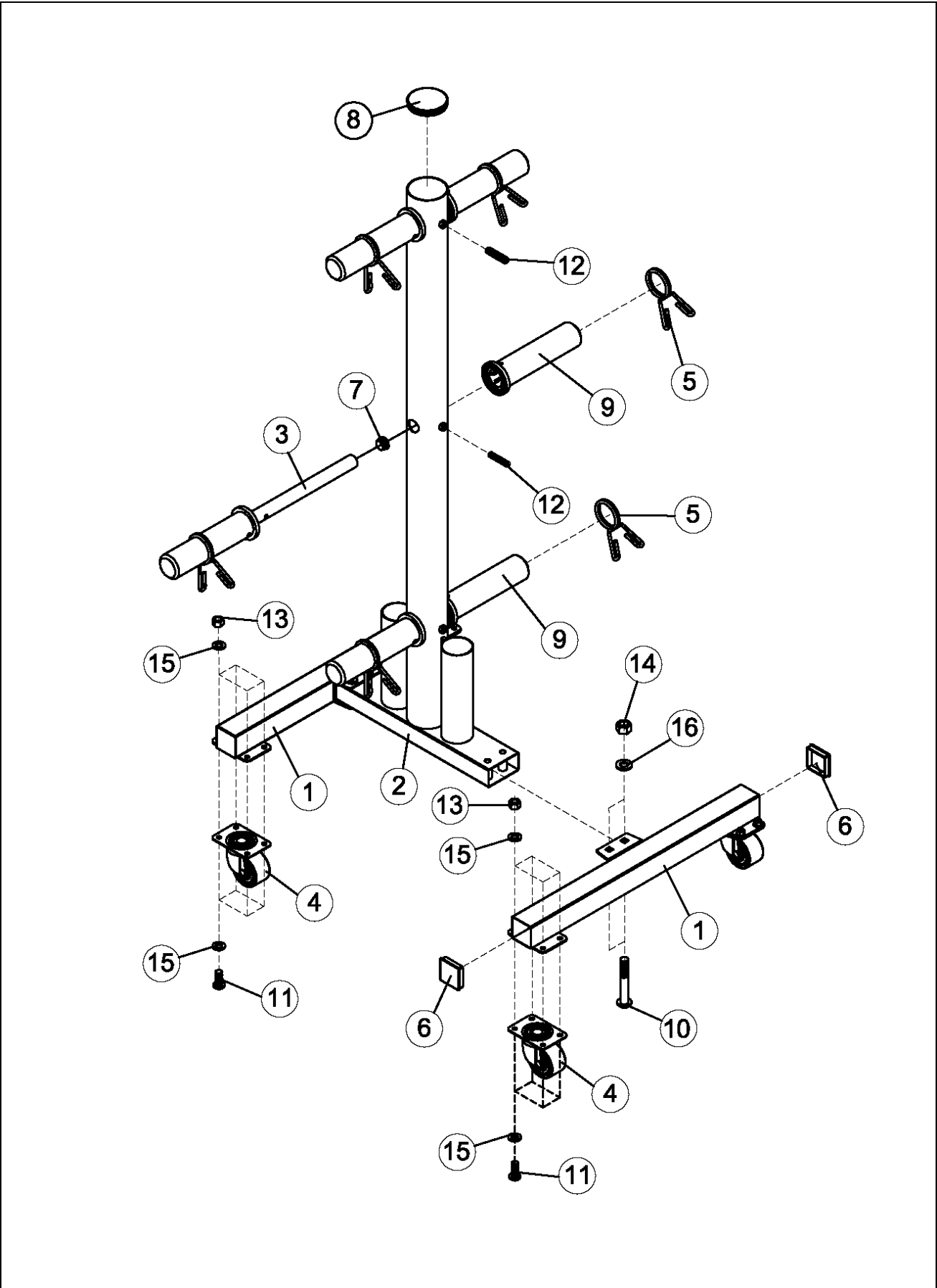


x 3

M8x1 $\frac{3}{8}$ "



3



IMPEX® INC.

2801 South Towne Avenue, Pomona, California 91766

Tel: (800) 999-8899 Fax: (626) 961-9966

www.marcypro.com

support@impex-fitness.com